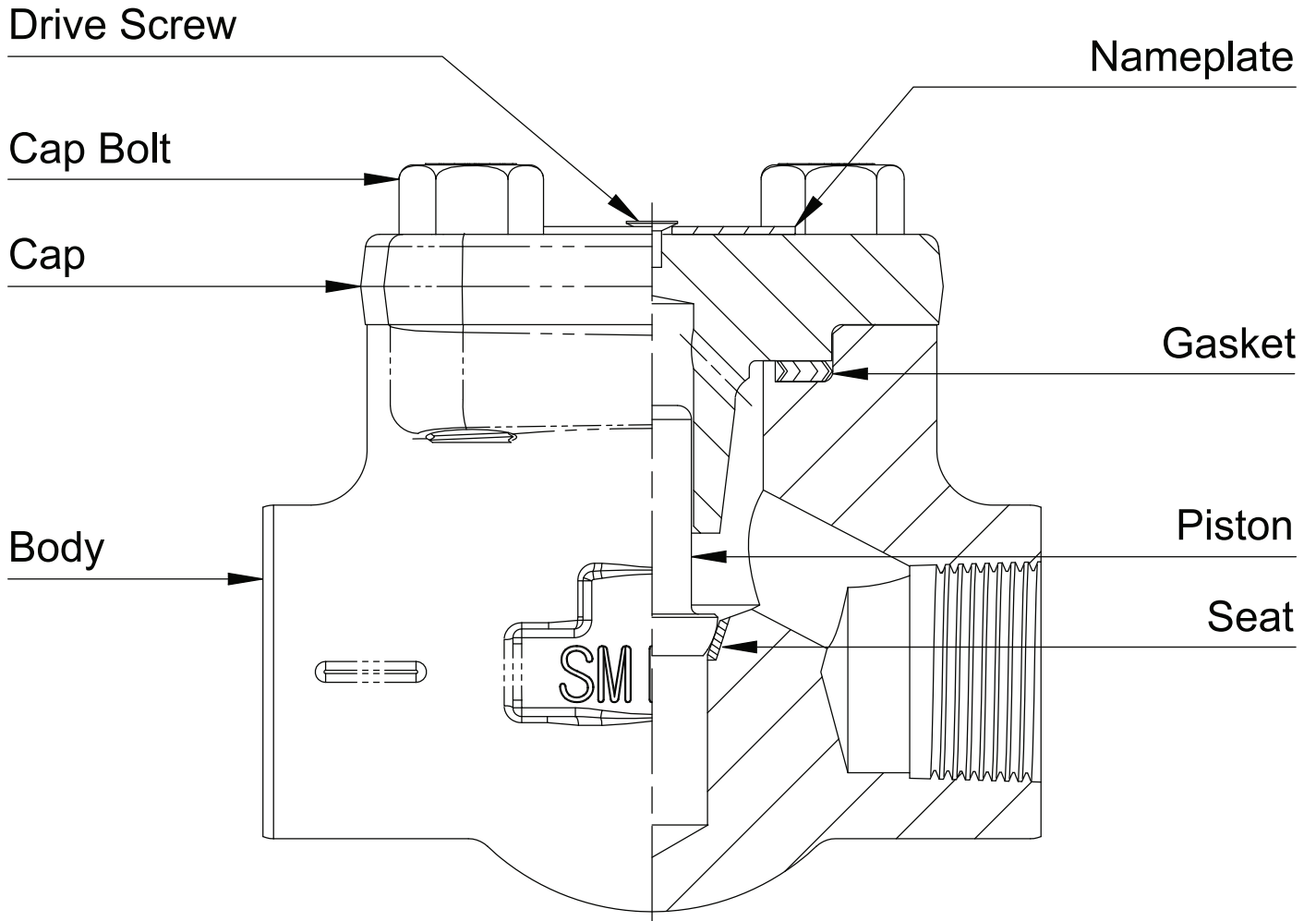




Check Valves

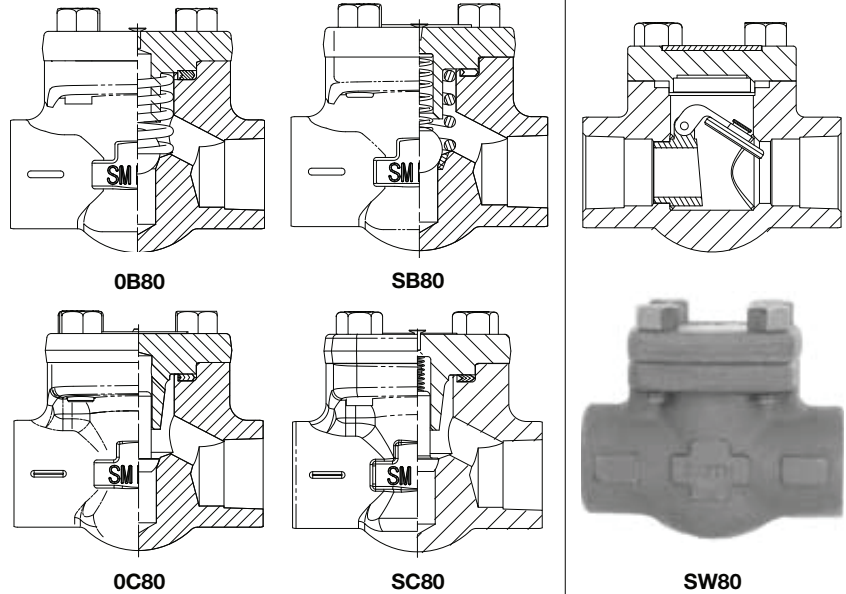




OB80-SB80-OC80-SC80-SW80 Check Valves

Forged Steel, Bolted Cap, Horizontal, Ball, Piston, Swing type
Valves comply with applicable portions of API 602 and ASME B16.34

Class 800
1/4" - 2"



OB80 CLASS 800 BOLTED CAP BALL TYPE CHECK VALVE - THREADED or SOCKET WELD - INCHES (MM)

VALVE SIZE NPS (DIN)	END TO END	CENTER TO TOP (OPEN)	PORT DIAMETER	SOCKET DEPTH	SOCKET DIAMETER	NPT THRD	APPROX. WEIGHT LBS (KG)	CRACKING PRESSURE PSI (BAR)
1/4 (8)	3.25 (83)	2.00 (51)	0.25 (6)	0.39 (10)	0.56 (14)	1/4"-18	2.5 (1.1)	0.2 (0.01)
3/8 (10)	3.25 (83)	2.00 (51)	0.25 (6)	0.39 (10)	0.69 (18)	3/8"-18	2.5 (1.1)	0.2 (0.01)
1/2 (15)	3.25 (83)	2.00 (51)	0.38 (10)	0.39 (10)	0.86 (22)	1/2"-14	2.3 (1.0)	0.2 (0.01)
3/4 (20)	3.50 (89)	2.25 (57)	0.50 (13)	0.51 (13)	1.07 (27)	3/4"-14	3.3 (1.5)	0.3 (0.02)
1 (25)	4.50 (114)	2.25 (57)	0.75 (19)	0.51 (13)	1.34 (34)	1"-11 1/2	5.0 (2.3)	0.3 (0.02)
1 1/4 (32)	6.25 (159)	2.88 (73)	1.00 (25)	0.51 (13)	1.68 (43)	1 1/4"-11 1/2	10.5 (4.8)	0.4 (0.03)
1 1/2 (40)	6.25 (159)	2.88 (73)	1.19 (30)	0.51 (13)	1.92 (49)	1 1/2"-11 1/2	10.0 (4.5)	0.4 (0.03)
2 (50)	7.25 (184)	3.56 (90)	1.44 (37)	0.63 (16)	2.41 (61)	2"-11 1/2	18.2 (8.3)	0.5 (0.03)

SB80 CLASS 800 BOLTED CAP SPRING BALL TYPE CHECK VALVE - THREADED or SOCKET WELD - INCHES (MM)

VALVE SIZE NPS (DIN)	END TO END	CENTER TO TOP (OPEN)	PORT DIAMETER	SOCKET DEPTH	SOCKET DIAMETER	NPT THRD	APPROX. WEIGHT LBS (KG)	CRACKING PRESSURE PSI (BAR)
1/4 (8)	3.25 (83)	2.00 (51)	0.25 (6)	0.39 (10)	0.56 (14)	1/4"-18	2.5 (1.1)	2.1 (0.14)
3/8 (10)	3.25 (83)	2.00 (51)	0.25 (6)	0.39 (10)	0.69 (18)	3/8"-18	2.5 (1.1)	2.1 (0.14)
1/2 (15)	3.25 (83)	2.00 (51)	0.38 (10)	0.39 (10)	0.86 (22)	1/2"-14	2.3 (1.0)	2.1 (0.14)
3/4 (20)	3.50 (89)	2.25 (57)	0.50 (13)	0.51 (13)	1.07 (27)	3/4"-14	3.3 (1.5)	2.1 (0.14)
1 (25)	4.50 (114)	2.25 (57)	0.75 (19)	0.51 (13)	1.34 (34)	1"-11 1/2	5.0 (2.3)	3.5 (0.24)
1 1/4 (32)	6.25 (159)	2.88 (73)	1.00 (25)	0.51 (13)	1.68 (43)	1 1/4"-11 1/2	10.5 (4.8)	2.7 (0.19)
1 1/2 (40)	6.25 (159)	2.88 (73)	1.19 (30)	0.51 (13)	1.92 (49)	1 1/2"-11 1/2	10.0 (4.5)	2.7 (0.19)
2 (50)	7.25 (184)	3.56 (90)	1.44 (37)	0.63 (16)	2.41 (61)	2"-11 1/2	18.2 (8.3)	6.0 (0.41)



OB80-SB80-OC80-SC80-SW80 Check Valves

Forged Steel, Bolted Cap, Horizontal, Ball, Piston, Swing type
Valves comply with applicable portions of API 602 and ASME B16.34

Class 800
1/4" - 2"

OC80 CLASS 800 BOLTED CAP PISTON TYPE CHECK VALVE - THREADED or SOCKET WELD - INCHES (MM)								
VALVE SIZE NPS (DIN)	END TO END	CENTER TO TOP (OPEN)	PORT DIAMETER	SOCKET DEPTH	SOCKET DIAMETER	NPT THRD	APPROX. WEIGHT LBS (KG)	CRACKING PRESSURE PSI (BAR)
1/4 (8)	3.25 (83)	2.00 (51)	0.25 (6)	0.39 (10)	0.56 (14)	1/4"-18	2.5 (1.1)	0.3 (0.02)
3/8 (10)	3.25 (83)	2.00 (51)	0.25 (6)	0.39 (10)	0.69 (18)	3/8"-18	2.5 (1.1)	0.3 (0.02)
1/2 (15)	3.25 (83)	2.00 (51)	0.38 (10)	0.39 (10)	0.86 (22)	1/2"-14	2.3 (1.0)	0.3 (0.02)
3/4 (20)	3.50 (89)	2.25 (57)	0.50 (13)	0.51 (13)	1.07 (27)	3/4"-14	3.3 (1.5)	0.3 (0.02)
1 (25)	4.50 (114)	2.25 (57)	0.75 (19)	0.51 (13)	1.34 (34)	1"-11 1/2	5.0 (2.3)	0.3 (0.02)
1 1/4 (32)	6.25 (159)	2.88 (73)	1.00 (25)	0.51 (13)	1.68 (43)	1 1/4"-11 1/2	10.5 (4.8)	0.3 (0.02)
1 1/2 (40)	6.25 (159)	2.88 (73)	1.19 (30)	0.51 (13)	1.92 (49)	1 1/2"-11 1/2	10.0 (4.5)	0.3 (0.02)
2 (50)	7.25 (184)	3.56 (90)	1.44 (37)	0.63 (16)	2.41 (61)	2"-11 1/2	18.2 (8.3)	0.4 (0.03)

SC80 CLASS 800 BOLTED CAP SPRING PISTON TYPE CHECK VALVE - THREADED or SOCKET WELD - INCHES (MM)								
VALVE SIZE NPS (DIN)	END TO END	CENTER TO TOP (OPEN)	PORT DIAMETER	SOCKET DEPTH	SOCKET DIAMETER	NPT THRD	APPROX. WEIGHT LBS (KG)	CRACKING PRESSURE PSI (BAR)
1/4 (8)	3.25 (83)	2.00 (51)	0.25 (6)	0.39 (10)	0.56 (14)	1/4"-18	2.5 (1.1)	1.8 (0.12)
3/8 (10)	3.25 (83)	2.00 (51)	0.25 (6)	0.39 (10)	0.69 (18)	3/8"-18	2.5 (1.1)	1.8 (0.12)
1/2 (15)	3.25 (83)	2.00 (51)	0.38 (10)	0.39 (10)	0.86 (22)	1/2"-14	2.3 (1.0)	1.8 (0.12)
3/4 (20)	3.50 (89)	2.25 (57)	0.50 (13)	0.51 (13)	1.07 (27)	3/4"-14	3.3 (1.5)	1.0 (0.07)
1 (25)	4.50 (114)	2.25 (57)	0.75 (19)	0.51 (13)	1.34 (34)	1"-11 1/2	5.0 (2.3)	0.6 (0.04)
1 1/4 (32)	6.25 (159)	2.88 (73)	1.00 (25)	0.51 (13)	1.68 (43)	1 1/4"-11 1/2	10.5 (4.8)	0.5 (0.03)
1 1/2 (40)	6.25 (159)	2.88 (73)	1.19 (30)	0.51 (13)	1.92 (49)	1 1/2"-11 1/2	10.0 (4.5)	0.5 (0.03)
2 (50)	7.25 (184)	3.56 (90)	1.44 (37)	0.63 (16)	2.41 (61)	2"-11 1/2	18.2 (8.3)	0.7 (0.05)

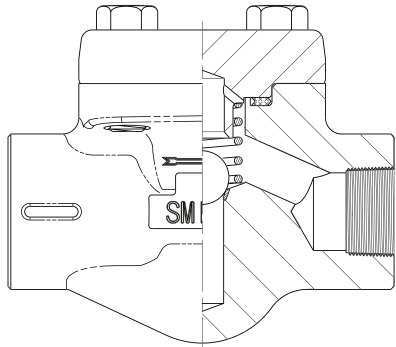
SW80 CLASS 800 BOLTED CAP SWING TYPE CHECK VALVE - THREADED or SOCKET WELD - INCHES (MM)								
VALVE SIZE NPS (DIN)	END TO END	CENTER TO TOP (OPEN)	PORT DIAMETER	SOCKET DEPTH	SOCKET DIAMETER	NPT THRD	APPROX. WEIGHT LBS (KG)	CRACKING PRESSURE PSI (BAR)
1/2 (15)	3.25 (83)	2.00 (51)	0.38 (10)	0.39 (10)	0.86 (22)	1/2"-14	2.1 (1.0)	0.1 (0.01)
3/4 (20)	3.50 (89)	2.25 (57)	0.50 (13)	0.51 (13)	1.07 (27)	3/4"-14	3.1 (1.4)	0.1 (0.01)
1 (25)	3.88 (98)	2.63 (67)	0.75 (19)	0.51 (13)	1.34 (34)	1"-11 1/2	4.5 (2.0)	0.1 (0.01)
1 1/2 (40)	4.75 (121)	3.75 (95)	1.19 (30)	0.51 (13)	1.92 (49)	1 1/2"-11 1/2	8.6 (3.9)	0.1 (0.01)
2 (50)	5.50 (140)	4.50 (114)	1.50 (38)	0.63 (16)	2.41 (61)	2"-11 1/2	16.0 (7.3)	0.1 (0.01)



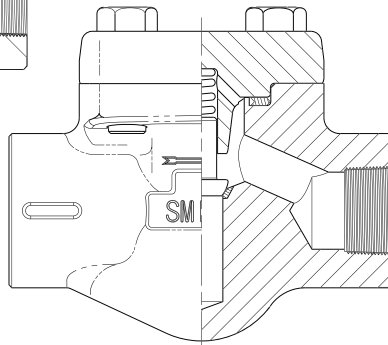
B150-SB15/C150-SC15 Check Valves

Forged Steel, Bolted Cap, Horizontal, Ball and Piston-type
Valves comply with applicable portions of API 602 and ASME B16.34

Class 1500
1/4" - 2"



B150-SB15



C150 - SC15



CLASS 1500 BOLTED CAP BALL TYPE CHECK VALVE - THREADED or SOCKET WELD - INCHES (MM)

VALVE SIZE NPS (DIN)	END TO END	CENTER TO TOP (OPEN)	PORT DIAMETER	SOCKET DEPTH	SOCKET DIAMETER	NPT THRD	APPROX. WEIGHT LBS (KG)	B150 CRACKING PRESSURE PSI (BAR)	SB15 CRACKING PRESSURE PSI (BAR)
1/4 (8)	3.50 (89)	2.38 (60)	0.25 (6)	0.39 (10)	0.56 (14)	1/4"-18	4.8 (2.2)	0.2 (0.01)	2.1 (0.14)
3/8 (10)	3.50 (89)	2.38 (60)	0.25 (6)	0.39 (10)	0.69 (18)	3/8"-18	4.8 (2.2)	0.2 (0.01)	2.1 (0.14)
1/2 (15)	3.50 (89)	2.38 (60)	0.38 (10)	0.39 (10)	0.86 (22)	1/2"-14	4.5 (2.0)	0.2 (0.01)	2.1 (0.14)
3/4 (20)	4.50 (114)	2.44 (62)	0.50 (13)	0.51 (13)	1.07 (27)	3/4"-14	7.0 (3.2)	0.3 (0.02)	2.1 (0.14)
1 (25)	6.25 (159)	3.13 (79)	0.75 (19)	0.51 (13)	1.34 (34)	1"-11 1/2	12.8 (5.8)	0.3 (0.02)	3.5 (0.24)
1 1/4 (32)	7.25 (184)	3.94 (100)	1.00 (25)	0.51 (13)	1.68 (43)	1 1/4"-11 1/2	22.5 (10.2)	0.4 (0.03)	2.7 (0.19)
1 1/2 (40)	7.25 (184)	3.94 (100)	1.19 (30)	0.51 (13)	1.92 (49)	1 1/2"-11 1/2	22.2 (10.1)	0.4 (0.03)	2.7 (0.19)
2 (50)	7.25 (184)	4.50 (114)	1.44 (37)	0.63 (16)	2.41 (61)	2"-11 1/2	26.5 (12.0)	0.5 (0.03)	6.0 (0.41)

CLASS 1500 BOLTED CAP PISTON TYPE CHECK VALVE - THREADED or SOCKET WELD - INCHES (MM)

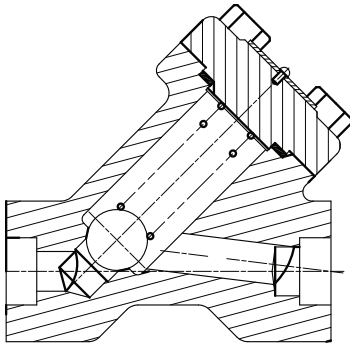
VALVE SIZE NPS (DIN)	END TO END	CENTER TO TOP (OPEN)	PORT DIAMETER	SOCKET DEPTH	SOCKET DIAMETER	NPT THRD	APPROX. WEIGHT LBS (KG)	C150 CRACKING PRESSURE PSI (BAR)	SC15 CRACKING PRESSURE PSI (BAR)
1/4 (8)	3.50 (89)	2.38 (60)	0.25 (6)	0.39 (10)	0.56 (14)	1/4"-18	4.8 (2.2)	0.3 (0.02)	1.8 (0.12)
3/8 (10)	3.50 (89)	2.38 (60)	0.25 (6)	0.39 (10)	0.69 (18)	3/8"-18	4.8 (2.2)	0.3 (0.02)	1.8 (0.12)
1/2 (15)	3.50 (89)	2.38 (60)	0.38 (10)	0.39 (10)	0.86 (22)	1/2"-14	4.5 (2.0)	0.3 (0.02)	1.8 (0.12)
3/4 (20)	4.50 (114)	2.44 (62)	0.50 (13)	0.51 (13)	1.07 (27)	3/4"-14	7.0 (3.2)	0.3 (0.02)	1.0 (0.07)
1 (25)	6.25 (159)	3.13 (79)	0.75 (19)	0.51 (13)	1.34 (34)	1"-11 1/2	12.8 (5.8)	0.3 (0.02)	0.6 (0.04)
1 1/4 (32)	7.25 (184)	3.94 (100)	1.00 (25)	0.51 (13)	1.68 (43)	1 1/4"-11 1/2	22.5 (10.2)	0.3 (0.02)	0.5 (0.03)
1 1/2 (40)	7.25 (184)	3.94 (100)	1.19 (30)	0.51 (13)	1.92 (49)	1 1/2"-11 1/2	22.2 (10.1)	0.3 (0.02)	0.5 (0.03)
2 (50)	7.25 (184)	4.50 (114)	1.44 (37)	0.63 (16)	2.41 (61)	2"-11 1/2	26.5 (12.0)	0.4 (0.03)	0.7 (0.05)



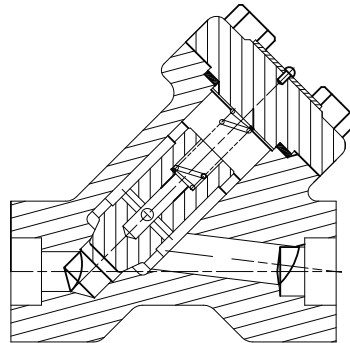
YB80-YC80 Y-Pattern Check Valves

Forged Steel, Bolted Cap, Y-Pattern, Horizontal, Ball and Piston-type
Valves comply with applicable portions of API 602 and ASME B16.34

Class 800
1/2" - 2"



YB80



YC80

CLASS 800 Y-PATTERN BALL TYPE CHECK VALVE - THREADED or SOCKET WELD - INCHES (MM)

VALVE SIZE NPS (DIN)	END TO END	CENTER TO TOP	PORT DIAMETER	SOCKET DEPTH	SOCKET DIAMETER	NPT THRD	APPROX. WEIGHT LBS (KG)	CRACKING PRESSURE PSI (BAR)
1/2 (15)	4.17 (106)	3.46 (88)	0.38 (10)	0.39 (10)	0.86 (22)	1/2"-14	3.9 (1.7)	8.7 (0.60)
3/4 (20)	4.17 (106)	3.46 (88)	0.50 (13)	0.51 (13)	1.07 (27)	3/4"-14	3.9 (1.7)	8.7 (0.60)
1 (25)	4.72 (120)	3.98 (101)	0.69 (18)	0.51 (13)	1.34 (34)	1"-11 1/2	6.2 (2.8)	7.3 (0.50)
1 1/2 (40)	5.98 (152)	4.88 (124)	1.12 (28)	0.51 (13)	1.92 (49)	1 1/2"-11 1/2	11.7 (5.3)	4.4 (0.30)
2 (50)	7.09 (180)	5.59 (142)	1.38 (35)	0.63 (16)	2.41 (61)	2"-11 1/2	18.7 (8.5)	2.9 (0.20)

CLASS 800 Y-PATTERN PISTON TYPE CHECK VALVE - THREADED or SOCKET WELD - INCHES (MM)

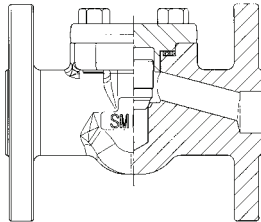
VALVE SIZE NPS (DIN)	END TO END	CENTER TO TOP	PORT DIAMETER	SOCKET DEPTH	SOCKET DIAMETER	NPT THRD	APPROX. WEIGHT LBS (KG)	CRACKING PRESSURE PSI (BAR)
1/2 (15)	4.17 (106)	3.46 (88)	0.38 (10)	0.39 (10)	0.86 (22)	1/2"-14	3.9 (1.7)	36.3 (2.50)
3/4 (20)	4.17 (106)	3.46 (88)	0.50 (13)	0.51 (13)	1.07 (27)	3/4"-14	3.9 (1.7)	36.3 (2.50)
1 (25)	4.72 (120)	3.98 (101)	0.69 (18)	0.51 (13)	1.34 (34)	1"-11 1/2	6.2 (2.8)	16.0 (1.10)
1 1/2 (40)	5.98 (152)	4.88 (124)	1.12 (28)	0.51 (13)	1.92 (49)	1 1/2"-11 1/2	11.7 (5.3)	14.5 (1.00)
2 (50)	7.09 (180)	5.59 (142)	1.38 (35)	0.63 (16)	2.41 (61)	2"-11 1/2	18.7 (8.5)	16.0 (1.10)



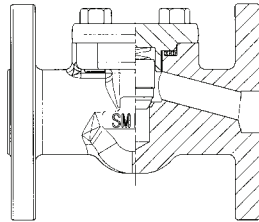
OC81-SC81-OC83-SC83-OC86-SC86 Check Valves

Forged Steel, Bolted Cap, Horizontal, Piston-type
Valves comply with applicable portions of API 602 and ASME B16.34

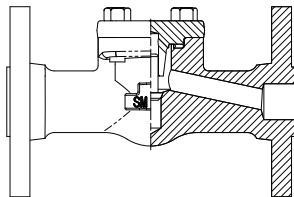
Class 150/300/600
1/2" - 2"



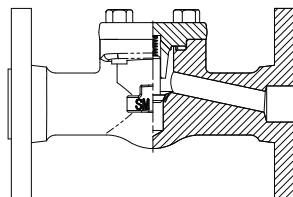
OC81



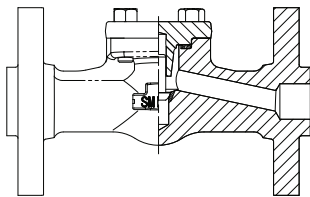
SC81



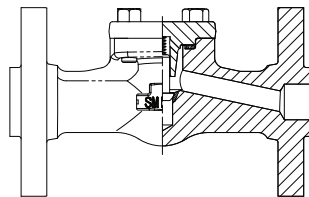
OC83



SC83



OC86



SC86



OC81 CLASS 150 BOLTED CAP PISTON TYPE CHECK VALVE - FLANGED ENDS - INCHES (MM)

VALVE SIZE NPS (DIN)	FACE TO FACE	CENTER TO TOP (OPEN)	PORT DIAMETER	FLANGE DIAMETER	RAISED DIAMETER	BOLT HOLE	BOLT HOLE DIAMETER	BOLT CIRCLE	APPROX. WEIGHT LBS (KG)	CRACKING PRESSURE PSI (BAR)
1/2 (15)	4.25 (108)	1.88 (48)	0.38 (10)	3.54 (90)	1.38 (35)	4	0.63 (16)	2.38 (60)	4.4 (2.0)	0.7 (0.05)
3/4 (20)	4.63 (118)	2.00 (51)	0.50 (13)	3.94 (100)	1.69 (43)	4	0.63 (16)	2.75 (70)	5.5 (2.5)	0.7 (0.05)
1 (25)	5.00 (127)	2.56 (65)	0.69 (17)	4.25 (108)	2.00 (51)	4	0.63 (16)	3.13 (79)	8.8 (4.0)	0.7 (0.05)
1 1/2 (40)	6.50 (165)	2.94 (75)	1.19 (30)	5.00 (127)	2.88 (73)	4	0.63 (16)	3.88 (98)	17.6 (8.0)	0.8 (0.05)
2 (50)	8.00 (203)	3.75 (95)	1.44 (37)	6.00 (152)	3.63 (92)	4	0.75 (19)	4.75 (121)	25.4 (11.5)	0.7 (0.05)

SC81 CLASS 150 BOLTED CAP SPRING PISTON TYPE CHECK VALVE - FLANGED ENDS - INCHES (MM)

VALVE SIZE NPS (DIN)	FACE TO FACE	CENTER TO TOP (OPEN)	PORT DIAMETER	FLANGE DIAMETER	RAISED DIAMETER	BOLT HOLE	BOLT HOLE DIAMETER	BOLT CIRCLE	APPROX. WEIGHT LBS (KG)	CRACKING PRESSURE PSI (BAR)
1/2 (15)	4.25 (108)	1.88 (48)	0.38 (10)	3.54 (90)	1.38 (35)	4	0.63 (16)	2.38 (60)	4.4 (2.0)	1.6 (0.11)
3/4 (20)	4.63 (118)	2.00 (51)	0.50 (13)	3.94 (100)	1.69 (43)	4	0.63 (16)	2.75 (70)	5.5 (2.5)	2.1 (0.15)
1 (25)	5.00 (127)	2.56 (65)	0.69 (17)	4.25 (108)	2.00 (51)	4	0.63 (16)	3.13 (79)	8.8 (4.0)	2.0 (0.13)
1 1/2 (40)	6.50 (165)	2.94 (75)	1.19 (30)	5.00 (127)	2.88 (73)	4	0.63 (16)	3.88 (98)	17.6 (8.0)	2.5 (0.17)
2 (50)	8.00 (203)	3.75 (95)	1.44 (37)	6.00 (152)	3.63 (92)	4	0.75 (19)	4.75 (121)	25.4 (11.5)	2.6 (0.18)



OC81-SC81-OC83-SC83-OC86-SC86 Check Valves

Forged Steel, Bolted Cap, Horizontal, Piston-type
Valves comply with applicable portions of API 602 and ASME B16.34

Class 150/300/600
1/2" - 2"

OC83 CLASS 300 BOLTED CAP PISTON TYPE CHECK VALVE - FLANGED ENDS - INCHES (MM)

VALVE SIZE NPS (DIN)	FACE TO FACE	CENTER TO TOP (OPEN)	PORT DIAMETER	FLANGE DIAMETER	RAISED DIAMETER	BOLT HOLE	BOLT HOLE DIAMETER	BOLT CIRCLE	APPROX. WEIGHT LBS (KG)	CRACKING PRESSURE PSI (BAR)
1/2 (15)	6.00 (152)	2.00 (51)	0.38 (10)	3.75 (95)	1.38 (35)	4	0.63 (16)	2.63 (67)	5.8 (2.6)	0.3 (0.02)
3/4 (20)	7.00 (178)	2.25 (57)	0.50 (13)	4.63 (118)	1.69 (43)	4	0.75 (19)	3.25 (83)	9.5 (4.3)	0.3 (0.02)
1 (25)	8.00 (203)	2.63 (67)	0.75 (19)	4.92 (125)	2.00 (51)	4	0.75 (19)	3.50 (89)	13.3 (6.0)	0.3 (0.02)
1 1/2 (40)	9.00 (229)	3.69 (94)	1.19 (30)	6.13 (156)	2.88 (73)	4	0.88 (22)	4.50 (114)	28.8 (13.0)	0.3 (0.02)
2 (50)	10.50 (267)	4.25 (108)	1.44 (37)	6.50 (165)	3.63 (92)	8	0.75 (19)	5.00 (127)	37.0 (16.8)	0.4 (0.03)

SC83 CLASS 300 BOLTED CAP SPRING PISTON TYPE CHECK VALVE - FLANGED ENDS - INCHES (MM)

VALVE SIZE NPS (DIN)	FACE TO FACE	CENTER TO TOP (OPEN)	PORT DIAMETER	FLANGE DIAMETER	RAISED DIAMETER	BOLT HOLE	BOLT HOLE DIAMETER	BOLT CIRCLE	APPROX. WEIGHT LBS (KG)	CRACKING PRESSURE PSI (BAR)
1/2 (15)	6.00 (152)	2.00 (51)	0.38 (10)	3.75 (95)	1.38 (35)	4	0.63 (16)	2.63 (67)	5.8 (2.6)	1.8 (0.12)
3/4 (20)	7.00 (178)	2.25 (57)	0.50 (13)	4.63 (118)	1.69 (43)	4	0.75 (19)	3.25 (83)	9.5 (4.3)	1.0 (0.07)
1 (25)	8.00 (203)	2.63 (67)	0.75 (19)	4.92 (125)	2.00 (51)	4	0.75 (19)	3.50 (89)	13.3 (6.0)	0.6 (0.04)
1 1/2 (40)	9.00 (229)	3.69 (94)	1.19 (30)	6.13 (156)	2.88 (73)	4	0.88 (22)	4.50 (114)	28.8 (13.0)	0.5 (0.03)
2 (50)	10.50 (267)	4.25 (108)	1.44 (37)	6.50 (165)	3.63 (92)	8	0.75 (19)	5.00 (127)	37.0 (16.8)	0.7 (0.05)

OC86 CLASS 600 BOLTED CAP PISTON TYPE CHECK VALVE - FLANGED ENDS - INCHES (MM)

VALVE SIZE NPS (DIN)	FACE TO FACE	CENTER TO TOP (OPEN)	PORT DIAMETER	FLANGE DIAMETER	RAISED DIAMETER	BOLT HOLE	BOLT HOLE DIAMETER	BOLT CIRCLE	APPROX. WEIGHT LBS (KG)	CRACKING PRESSURE PSI (BAR)
1/2 (15)	6.50 (165)	2.00 (51)	0.38 (10)	3.75 (95)	1.38 (35)	4	0.63 (16)	2.63 (67)	6.3 (2.8)	0.3 (0.02)
3/4 (20)	7.50 (191)	2.25 (57)	0.50 (13)	4.63 (118)	1.69 (43)	4	0.75 (19)	3.25 (83)	10.5 (4.8)	0.3 (0.02)
1 (25)	8.50 (216)	2.63 (67)	0.75 (19)	4.94 (125)	2.00 (51)	4	0.75 (19)	3.50 (89)	13.5 (6.1)	0.3 (0.02)
1 1/2 (40)	9.50 (241)	3.69 (94)	1.19 (30)	6.13 (156)	2.88 (73)	4	0.88 (22)	4.50 (114)	29.5 (13.4)	0.3 (0.02)
2 (50)	11.50 (292)	4.25 (108)	1.44 (37)	6.50 (165)	3.63 (92)	8	0.75 (19)	5.00 (127)	43.5 (19.7)	0.4 (0.03)

SC86 CLASS 600 BOLTED CAP SPRING PISTON TYPE CHECK VALVE - FLANGED ENDS - INCHES (MM)

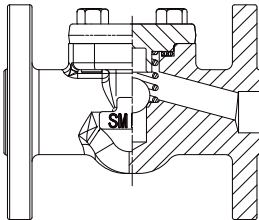
VALVE SIZE NPS (DIN)	FACE TO FACE	CENTER TO TOP (OPEN)	PORT DIAMETER	FLANGE DIAMETER	RAISED DIAMETER	BOLT HOLE	BOLT HOLE DIAMETER	BOLT CIRCLE	APPROX. WEIGHT LBS (KG)	CRACKING PRESSURE PSI (BAR)
1/2 (15)	6.50 (165)	2.00 (51)	0.38 (10)	3.75 (95)	1.38 (35)	4	0.63 (16)	2.63 (67)	6.3 (2.8)	1.8 (0.12)
3/4 (20)	7.50 (191)	2.25 (57)	0.50 (13)	4.63 (118)	1.69 (43)	4	0.75 (19)	3.25 (83)	10.5 (4.8)	1.0 (0.07)
1 (25)	8.50 (216)	2.63 (67)	0.75 (19)	4.92 (125)	2.00 (51)	4	0.75 (19)	3.50 (89)	13.5 (6.1)	0.6 (0.04)
1 1/2 (40)	9.50 (241)	3.69 (94)	1.19 (30)	6.13 (156)	2.88 (73)	4	0.88 (22)	4.50 (114)	29.5 (13.4)	0.5 (0.03)
2 (50)	11.50 (292)	4.25 (108)	1.44 (37)	6.50 (165)	3.63 (92)	8	0.75 (19)	5.00 (127)	43.5 (19.7)	0.7 (0.05)



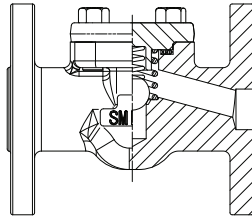
OB81-SB81-OB83-SB83-OB86-SB86 Check Valves

Forged Steel, Bolted Cap, Horizontal, Ball-type
Valves comply with applicable portions of API 602 and ASME B16.34

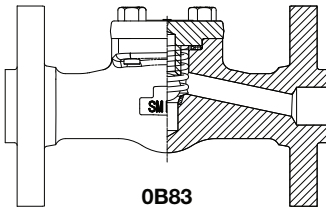
Class 150/300/600
1/2" - 2"



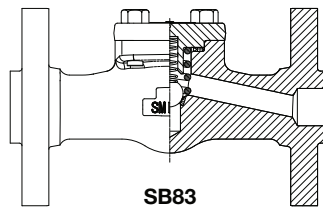
OB81



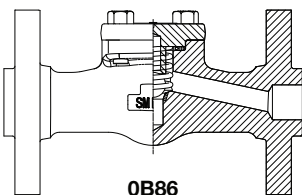
SB81



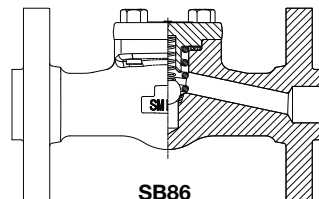
OB83



SB83



OB86



SB86



OB81 CLASS 150 BOLTED CAP BALL TYPE CHECK VALVE - FLANGED ENDS - INCHES (MM)

VALVE SIZE NPS (DIN)	FACE TO FACE	CENTER TO TOP (OPEN)	PORT DIAMETER	FLANGE DIAMETER	RAISED DIAMETER	BOLT HOLE	BOLT HOLE DIAMETER	BOLT CIRCLE	APPROX. WEIGHT LBS (KG)	CRACKING PRESSURE PSI (BAR)
1/2 (15)	4.25 (108)	1.88 (48)	0.38 (10)	3.54 (90)	1.38 (35)	4	0.63 (16)	2.38 (60)	4.4 (2.0)	0.7 (0.05)
3/4 (20)	4.63 (118)	2.00 (51)	0.50 (13)	3.94 (100)	1.69 (43)	4	0.63 (16)	2.75 (70)	5.5 (2.5)	0.7 (0.05)
1 (25)	5.00 (127)	2.56 (65)	0.69 (17)	4.25 (108)	2.00 (51)	4	0.63 (16)	3.13 (79)	8.8 (4.0)	0.7 (0.05)
1 1/2 (40)	6.50 (165)	2.94 (75)	1.19 (30)	5.00 (127)	2.88 (73)	4	0.63 (16)	3.88 (98)	17.6 (8.0)	0.8 (0.05)
2 (50)	8.00 (203)	3.75 (95)	1.44 (37)	6.00 (152)	3.63 (92)	4	0.75 (19)	4.75 (121)	25.4 (11.5)	0.7 (0.05)

SB81 CLASS 150 BOLTED CAP SPRING BALL TYPE CHECK VALVE - FLANGED ENDS - INCHES (MM)

VALVE SIZE NPS (DIN)	FACE TO FACE	CENTER TO TOP (OPEN)	PORT DIAMETER	FLANGE DIAMETER	RAISED DIAMETER	BOLT HOLE	BOLT HOLE DIAMETER	BOLT CIRCLE	APPROX. WEIGHT LBS (KG)	CRACKING PRESSURE PSI (BAR)
1/2 (15)	4.25 (108)	1.88 (48)	0.38 (10)	3.54 (90)	1.38 (35)	4	0.63 (16)	2.38 (60)	4.4 (2.0)	1.6 (0.11)
3/4 (20)	4.63 (118)	2.00 (51)	0.50 (13)	3.94 (100)	1.69 (43)	4	0.63 (16)	2.75 (70)	5.5 (2.5)	2.1 (0.15)
1 (25)	5.00 (127)	2.56 (65)	0.69 (17)	4.25 (108)	2.00 (51)	4	0.63 (16)	3.13 (79)	8.8 (4.0)	2.0 (0.13)
1 1/2 (40)	6.50 (165)	2.94 (75)	1.19 (30)	5.00 (127)	2.88 (73)	4	0.63 (16)	3.88 (98)	17.6 (8.0)	2.5 (0.17)
2 (50)	8.00 (203)	3.75 (95)	1.44 (37)	6.00 (152)	3.63 (92)	4	0.75 (19)	4.75 (121)	25.4 (11.5)	2.6 (0.18)



OB81-SB81-OB83-SB83-OB86-SB86 Check Valves

Forged Steel, Bolted Cap, Horizontal, Ball-type
Valves comply with applicable portions of API 602 and ASME B16.34

Class 150/300/600
1/2" - 2"

OB83 CLASS 300 BOLTED CAP BALL TYPE CHECK VALVE - FLANGED ENDS - INCHES (MM)

VALVE SIZE NPS (DIN)	FACE TO FACE	CENTER TO TOP (OPEN)	PORT DIAMETER	FLANGE DIAMETER	RAISED DIAMETER	BOLT HOLE	BOLT HOLE DIAMETER	BOLT CIRCLE	APPROX. WEIGHT LBS (KG)	CRACKING PRESSURE PSI (BAR)
1/2 (15)	6.00 (152)	2.00 (51)	0.38 (10)	3.75 (95)	1.38 (35)	4	0.63 (16)	2.63 (67)	5.8 (2.6)	0.2 (0.01)
3/4 (20)	7.00 (178)	2.25 (57)	0.50 (13)	4.63 (118)	1.69 (43)	4	0.75 (19)	3.25 (83)	9.5 (4.3)	0.3 (0.02)
1 (25)	8.00 (203)	2.63 (67)	0.75 (19)	4.92 (125)	2.00 (51)	4	0.75 (19)	3.50 (89)	13.3 (6.0)	0.3 (0.02)
1 1/2 (40)	9.00 (229)	3.69 (94)	1.19 (30)	6.13 (156)	2.88 (73)	4	0.88 (22)	4.50 (114)	28.8 (13.0)	0.4 (0.03)
2 (50)	10.50 (267)	4.25 (108)	1.44 (37)	6.50 (165)	3.63 (92)	8	0.75 (19)	5.00 (127)	37.0 (16.8)	0.5 (0.03)

SB83 CLASS 300 BOLTED CAP SPRING BALL TYPE CHECK VALVE - FLANGED ENDS - INCHES (MM)

VALVE SIZE NPS (DIN)	FACE TO FACE	CENTER TO TOP (OPEN)	PORT DIAMETER	FLANGE DIAMETER	RAISED DIAMETER	BOLT HOLE	BOLT HOLE DIAMETER	BOLT CIRCLE	APPROX. WEIGHT LBS (KG)	CRACKING PRESSURE PSI (BAR)
1/2 (15)	6.00 (152)	2.00 (51)	0.38 (10)	3.75 (95)	1.38 (35)	4	0.63 (16)	2.63 (67)	5.8 (2.6)	2.1 (0.15)
3/4 (20)	7.00 (178)	2.25 (57)	0.50 (13)	4.63 (118)	1.69 (43)	4	0.75 (19)	3.25 (83)	9.5 (4.3)	2.1 (0.15)
1 (25)	8.00 (203)	2.63 (67)	0.75 (19)	4.92 (125)	2.00 (51)	4	0.75 (19)	3.50 (89)	13.3 (6.0)	3.5 (0.24)
1 1/2 (40)	9.00 (229)	3.69 (94)	1.19 (30)	6.13 (156)	2.88 (73)	4	0.88 (22)	4.50 (114)	28.8 (13.0)	2.7 (0.19)
2 (50)	10.50 (267)	4.25 (108)	1.44 (37)	6.50 (165)	3.63 (92)	8	0.75 (19)	5.00 (127)	37.0 (16.8)	6.0 (0.41)

OB86 CLASS 600 BOLTED CAP BALL TYPE CHECK VALVE - FLANGED ENDS - INCHES (MM)

VALVE SIZE NPS (DIN)	FACE TO FACE	CENTER TO TOP (OPEN)	PORT DIAMETER	FLANGE DIAMETER	RAISED DIAMETER	BOLT HOLE	BOLT HOLE DIAMETER	BOLT CIRCLE	APPROX. WEIGHT LBS (KG)	CRACKING PRESSURE PSI (BAR)
1/2 (15)	6.50 (165)	2.00 (51)	0.38 (10)	3.75 (95)	1.38 (35)	4	0.63 (16)	2.63 (67)	6.3 (2.8)	0.2 (0.01)
3/4 (20)	7.50 (191)	2.25 (57)	0.50 (13)	4.63 (118)	1.69 (43)	4	0.75 (19)	3.25 (83)	10.5 (4.8)	0.3 (0.02)
1 (25)	8.50 (216)	2.63 (67)	0.75 (19)	4.94 (125)	2.00 (51)	4	0.75 (19)	3.50 (89)	13.5 (6.1)	0.3 (0.02)
1 1/2 (40)	9.50 (241)	3.69 (94)	1.19 (30)	6.13 (156)	2.88 (73)	4	0.88 (22)	4.50 (114)	29.5 (13.4)	0.4 (0.03)
2 (50)	11.50 (292)	4.25 (108)	1.44 (37)	6.50 (165)	3.63 (92)	8	0.75 (19)	5.00 (127)	43.5 (19.7)	0.5 (0.03)

SB86 CLASS 600 BOLTED CAP SPRING BALL TYPE CHECK VALVE - FLANGED ENDS - INCHES (MM)

VALVE SIZE NPS (DIN)	FACE TO FACE	CENTER TO TOP (OPEN)	PORT DIAMETER	FLANGE DIAMETER	RAISED DIAMETER	BOLT HOLE	BOLT HOLE DIAMETER	BOLT CIRCLE	APPROX. WEIGHT LBS (KG)	CRACKING PRESSURE PSI (BAR)
1/2 (15)	6.50 (165)	2.00 (51)	0.38 (10)	3.75 (95)	1.38 (35)	4	0.63 (16)	2.63 (67)	6.3 (2.8)	2.1 (0.15)
3/4 (20)	7.50 (191)	2.25 (57)	0.50 (13)	4.63 (118)	1.69 (43)	4	0.75 (19)	3.25 (83)	10.5 (4.8)	2.1 (0.15)
1 (25)	8.50 (216)	2.63 (67)	0.75 (19)	4.92 (125)	2.00 (51)	4	0.75 (19)	3.50 (89)	13.5 (6.1)	3.5 (0.24)
1 1/2 (40)	9.50 (241)	3.69 (94)	1.19 (30)	6.13 (156)	2.88 (73)	4	0.88 (22)	4.50 (114)	29.5 (13.4)	2.7 (0.19)
2 (50)	11.50 (292)	4.25 (108)	1.44 (37)	6.50 (165)	3.63 (92)	8	0.75 (19)	5.00 (127)	43.5 (19.7)	6.0 (0.41)